

DIRECT-DV

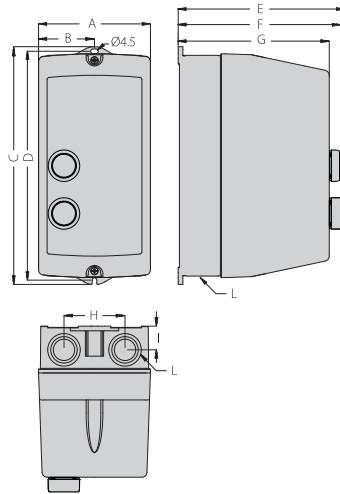


DIRECT-ON-LINE-STARTER WITH START AND STOP/RESET

MANUFACTURING FEATURES:

Direct-on-line-starter, IP65, contactor coil
Voltage 230VAC & 400VAC 50-60Hz, non-metallic enclosure, with thermal overload
Relay, with start and stop/reset buttons and operation led

Dimensions

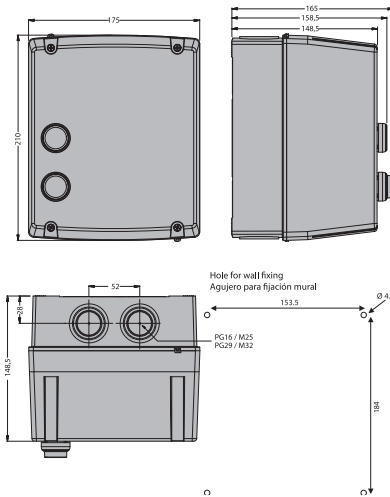


Model	A	B	C	D	E	F	G	H	I
DIRECT-DV 0,6-1A 230V	88	44	184	175	140.4	133. 3000000 0000001	119.5	49	19. 3999999 9999999 9
DIRECT-DV 0,9-1,5A 230V	88	44	184	175	140.4	133. 3000000 0000001	119.5	49	19. 3999999 9999999 9
DIRECT-DV 0,9-1,5A 400V	88	44	184	175	140.4	133. 3000000 0000001	119.5	49	19. 3999999 9999999 9
DIRECT-DV 1,4-2,3A 230V	88	44	184	175	140.4	133. 3000000 0000001	119.5	49	19. 3999999 9999999 9
DIRECT-DV 1,4-2,3A 400V	88	44	184	175	140.4	133. 3000000 0000001	119.5	49	19. 3999999 9999999 9
DIRECT-DV 2-3,3A 230V	88	44	184	175	140.4	133. 3000000 0000001	119.5	49	19. 3999999 9999999 9
DIRECT-DV 2-3,3A 400V	88	44	184	175	140.4	133. 3000000 0000001	119.5	49	19. 3999999 9999999 9
DIRECT-DV 3-5A 230V	88	44	184	175	140.4	133. 3000000 0000001	119.5	49	19. 3999999 9999999 9

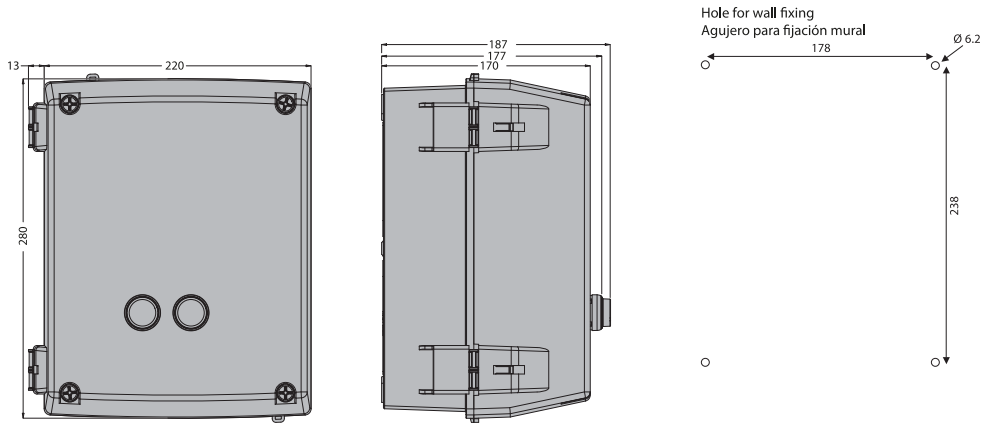
Model	A	B	C	D	E	F	G	H	I
DIRECT-DV 3-5A 400V	88	44	184	175	140.4	133. 3000000 0000001	119.5	49	19. 3999999 9999999 9
DIRECT-DV 4,5-7,5A 230V	88	44	184	175	140.4	133. 3000000 0000001	119.5	49	19. 3999999 9999999 9
DIRECT-DV 4,5-7,5A 400V	88	44	184	175	140.4	133. 3000000 0000001	119.5	49	19. 3999999 9999999 9
DIRECT-DV 6-10A 400V	88	44	184	175	140.4	133. 3000000 0000001	119.5	49	19. 3999999 9999999 9
DIRECT-DV 9-15A 400V	88	44	184	175	140.4	133. 3000000 0000001	119.5	49	19. 3999999 9999999 9
DIRECT-DV 13-18A 400V	88	44	202	193	155.4	148. 3000000 0000001	134.5	49	19. 3999999 9999999 9
DIRECT-DV 17-23A 400V	110	55	234	225	162. 3000000 0000001	169.4	148.5	60	22.8
DIRECT-DV 20-25A 400V	110	55	234	225	162. 3000000 0000001	169.4	148.5	60	22.8
DIRECT-DV 24-32A 400V	110	55	234	225	162. 3000000 0000001	169.4	148.5	60	22.8

Model	L
DIRECT-DV 0,6-1A 230V	PG13, 5/M20
DIRECT-DV 0,9-1,5A 230V	PG13, 5/M20
DIRECT-DV 0,9-1,5A 400V	PG13, 5/M20
DIRECT-DV 1,4-2,3A 230V	PG13, 5/M20
DIRECT-DV 1,4-2,3A 400V	PG13, 5/M20
DIRECT-DV 2-3,3A 230V	PG13, 5/M20
DIRECT-DV 2-3,3A 400V	PG13, 5/M20

Model	L
DIRECT-DV 3-5A 230V	PG13, 5/M20
DIRECT-DV 3-5A 400V	PG13, 5/M20
DIRECT-DV 4,5-7,5A 230V	PG13, 5/M20
DIRECT-DV 4,5-7,5A 400V	PG13, 5/M20
DIRECT-DV 6-10A 400V	PG13, 5/M20
DIRECT-DV 9-15A 400V	PG13, 5/M20
DIRECT-DV 13-18A 400V	PG13, 5/M20
DIRECT-DV 17-23A 400V	PG16/M2 5-PG13, 5/M20
DIRECT-DV 20-25A 400V	PG16/M2 5-PG13, 5/M20
DIRECT-DV 24-32A 400V	PG16/M2 5-PG13, 5/M20



Model
DIRECT-DV 32-38A 400V

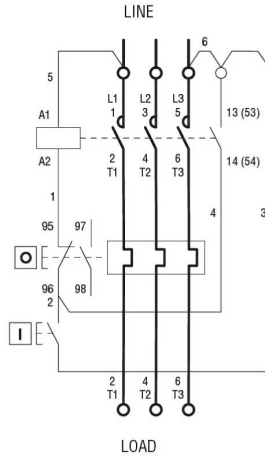


Model

DIRECT-DV 35-50A 400V

Wiring diagram

Wiring diagram N° 1



I = Start; O = Stop/Reset