

HJBMX



ATEX SQUARE WALL PLATE FAN WITH VARIABLE PITCH BLADES

MANUFACTURING FEATURES

- Square plate made of inox steel AISI 304.
- Variable pitch angle PAGAS impeller.
- Supplied with motor support and protection guard according to the ROHS 2002/95/EC Directive (Restriction of the Use of Certain Hazardous Substances in Electrical and Electronic Equipments).
- ATEX standard asynchronous motor. Standard voltages 230/400V 50Hz for three phase motors.
- IP55 Motor.

APPLICATIONS

Designed for wall assembly, they are suitable for:

- Air renewal in buildings and industries.
- Smoke extraction (max. 45-50°C).
- General ventilation in closed environments classified as ATEX zone 1 with motor EEx_d.
- Maximum working temperature: 50°C.

UNDER REQUEST

- ATEX classification for other areas.
- 60Hz fans and special voltages.

ORGANISM: L.O.M.

CERTIFICATE N°: LOM 17.755X-C

In compliance with the Directive 2014/34/UE.ATEX certified II2G and II3G/D

Accessories



INT



RP0



SFC

Technical data

Single-phase motor / 4 poles

Code	Model	R.P.M.	Rated I. (A) 230V	Rated power kW	Max. Airflow m3/h	Sound db (A)**	Weight	Connect. diagram
268263103XD	HJBMX 25 M4 0,09kW	1390	0,98	0,09	1.440	42	4	1
268313103XD	HJBMX 30 M4 0,09kW	1390	0,98	0,09	2.440	45	5	1
268363103XD	HJBMX 35 M4 0,18kW	1390	1,75	0,18	3.510	47	6,50	1
268403103XD	HJBMX 40 M4 0,18kW	1390	1,75	0,18	5.270	52	9	1

Three-phase motor / 4 poles

Code	Model	R.P.M.	Rated I. (A) 400V	Rated power kW	Max. Airflow m3/h	Sound db (A)**	Weight	Connect. diagram
268263106XD	HJBMX 25 T4 0,12kW	1412	0,65	0,12	1.440	42	4	2
268313106XD	HJBMX 30 T4 0,12kW	1412	0,65	0,12	2.440	45	5	2
268363106XD	HJBMX 35 T4 0,25kW	1372	1	0,25	3.510	47	6,50	2
268403106XD	HJBMX 40 T4 0,25kW	1372	1	0,25	4.690	48	9	2
268453106XD	HJBMX 45 T4 0,37kW	1378	1,25	0,37	7.260	55	13	2
268503106XD	HJBMX 50 T4 0,75kW	1427	2	0,75	9.320	56	18	2
268563106XD	HJBMX 56 T4 0,75kW	1427	2	0,75	12.000	59	20	2

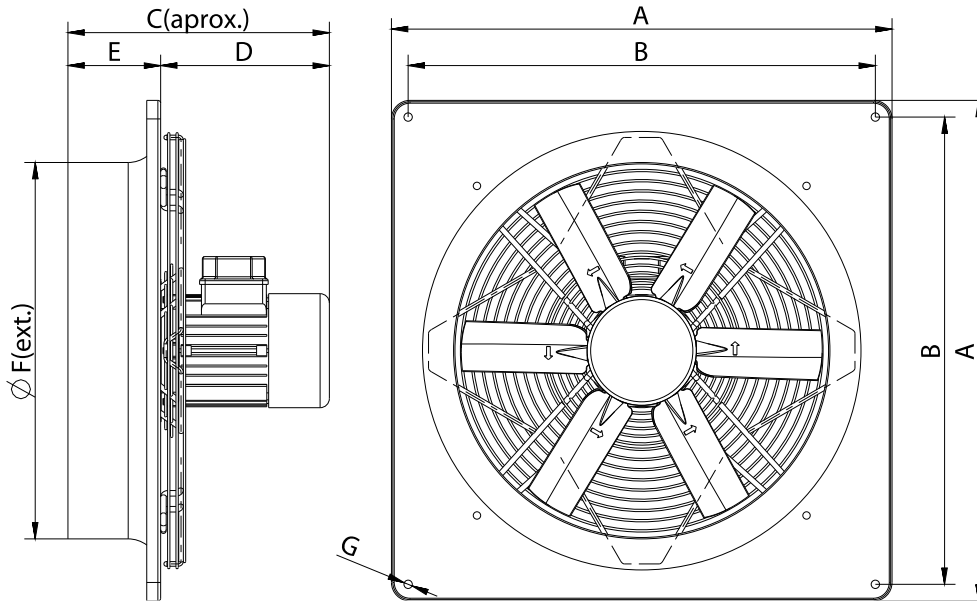
Three-phase motor / 6 poles

Code	Model	R.P.M.	Rated I. (A) 400V	Rated power kW	Max. Airflow m3/h	Sound db (A)**	Weight	Connect. diagram
268413106XD	HJBMX 40 T6 0,18kW	908	0,8	0,18	3.410	43	9	2
268463106XD	HJBMX 45 T6 0,18kW	908	0,8	0,18	4.710	45	13	2
268513106XD	HJBMX 50 T6 0,18kW	908	0,8	0,18	6.040	47	18	2
268573106XD	HJBMX 56 T6 0,18kW	908	0,8	0,18	7.800	50	20	2

Notes:

** Total sound pressure level at the point of maximum flow measured in dB(A) in the suction measured in free field at a distance of 6m from the source

Dimensions



Model	A	B	C(aprox)	D	E	ØF(ext)	ØG
HJBMX 25 M4 0,09kW	370	320	274,8	192,8	82	253	7
HJBMX 25 T4 0,12kW	370	320	274,8	192,8	82	253	7
HJBMX 30 M4 0,09kW	404	337	274,5	192,8	82	308	9
HJBMX 30 T4 0,12kW	404	337	274,5	192,8	82	308	9
HJBMX 35 M4 0,18kW	460	392	297,5	211,5	86	366	9
HJBMX 35 T4 0,25kW	460	392	297,5	211,5	86	366	9
HJBMX 40 M4 0,18kW	540	504	312	212	100	406	11
HJBMX 40 T4 0,25kW	540	504	312	212	100	406	11
HJBMX 40 T6 0,18kW	540	504	312	212	100	406	11
HJBMX 45 T4 0,37kW	576	521,5	310	210	100	455	11
HJBMX 45 T6 0,18kW	576	521,5	310	210	100	455	11
HJBMX 50 T4 0,75kW	655	599,4	339,5	219,5	120	508	11
HJBMX 50 T6 0,18kW	655	599,4	323,5	203,5	120	508	11
HJBMX 56 T4 0,75kW	725	650	339,5	219,5	120	560	11
HJBMX 56 T6 0,18kW	725	650	339,5	219,5	120	560	11

Wiring diagram

DIAGRAM N° 1

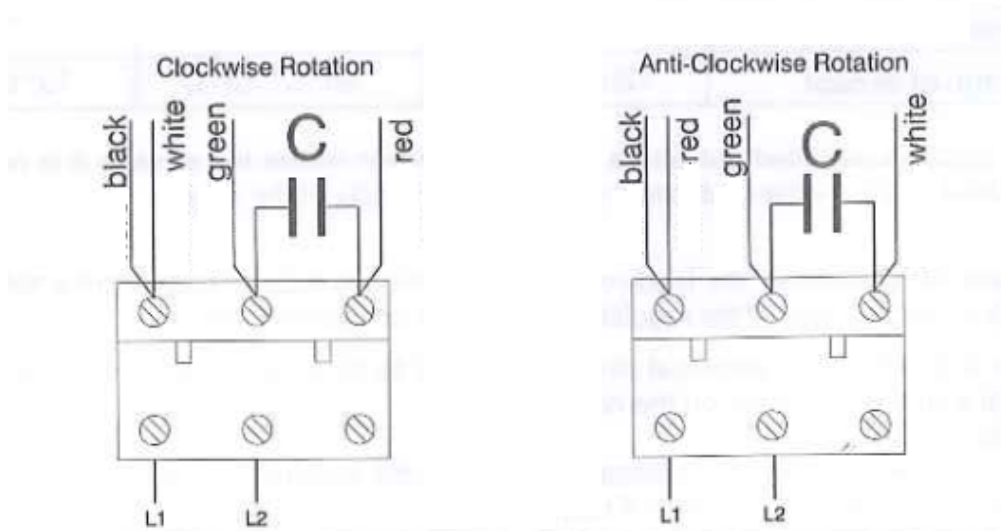
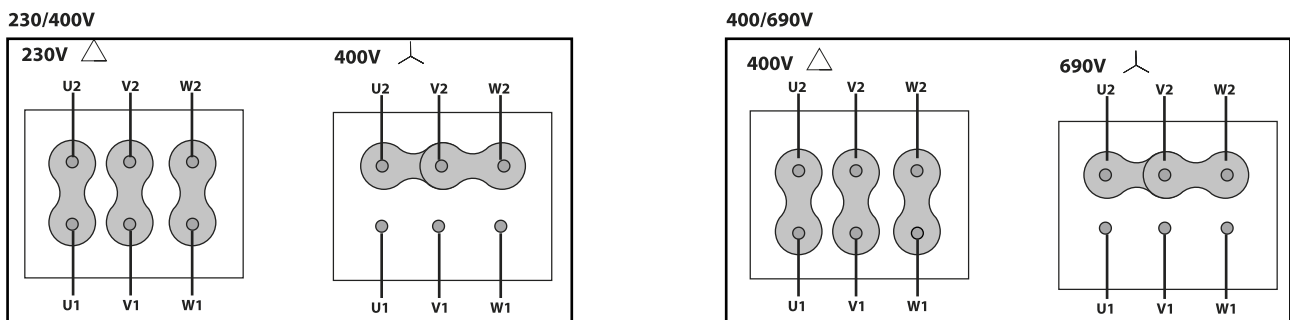


DIAGRAM N° 2



CHARACTERISTIC CURVE

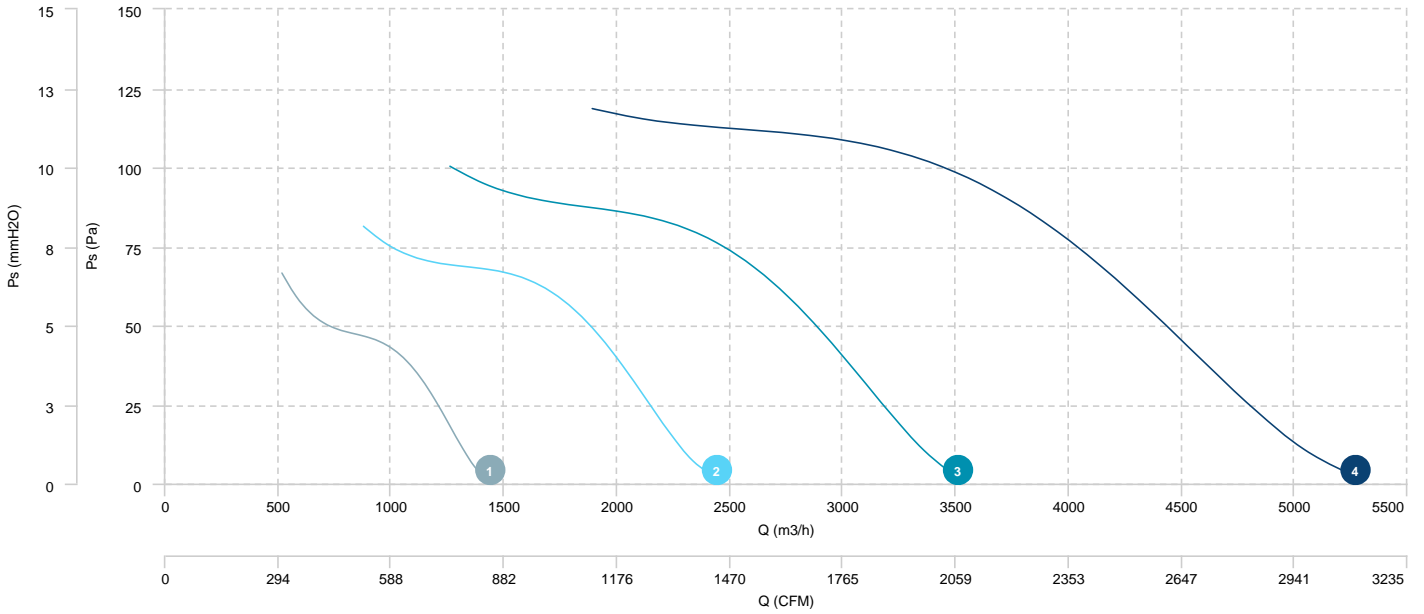
1 HJBMX 25 M4 0,09kW

2 HJBMX 30 M4 0,09kW

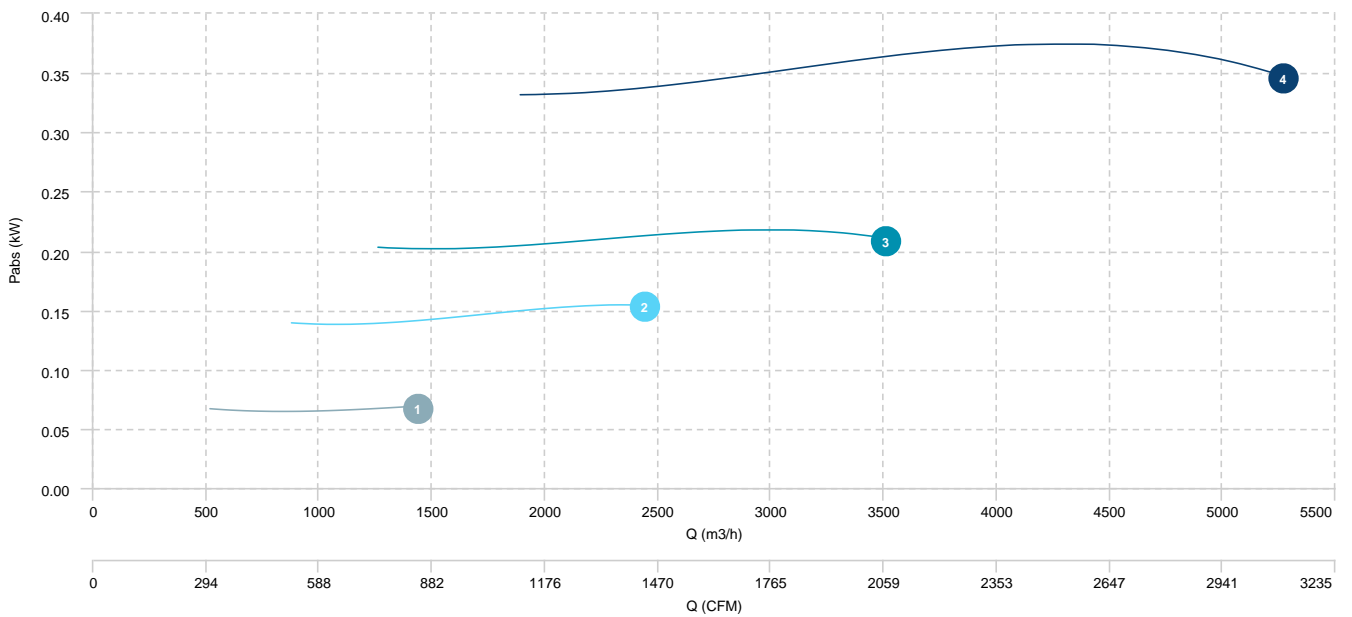
3 HJBMX 35 M4 0,18kW

4 HJBMX 40 M4 0,18kW

AIR FLOW - PRESSURE

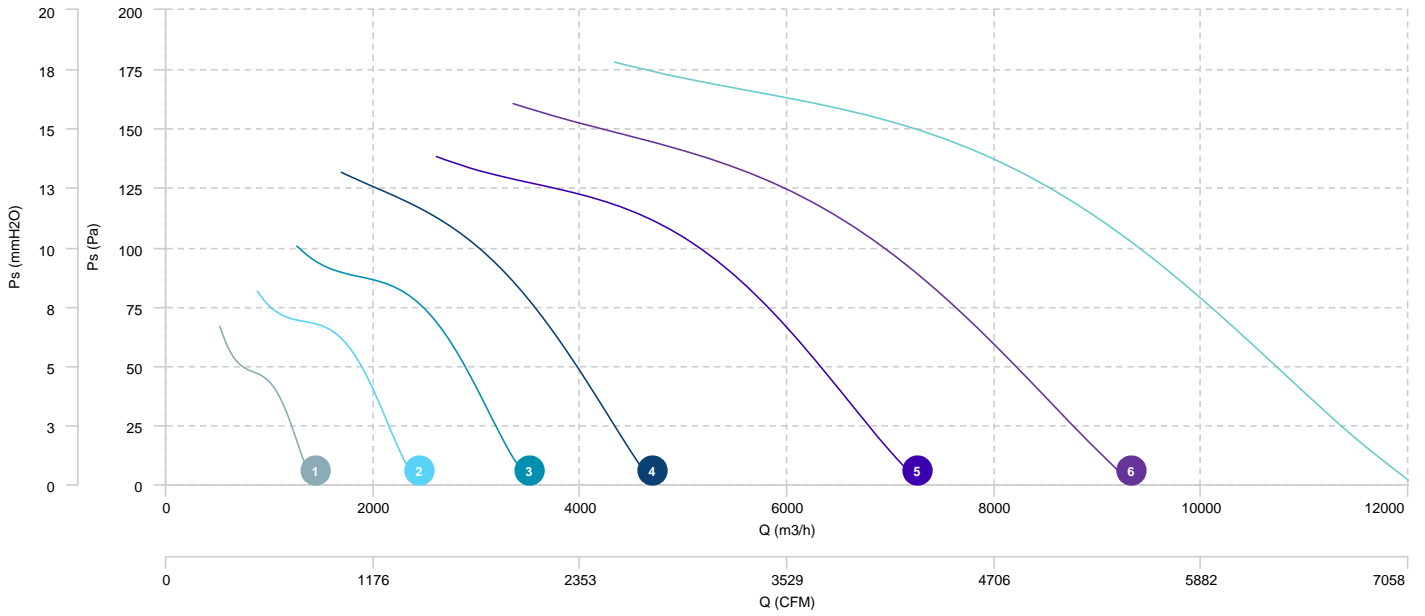


AIR FLOW - ABSORBED POWER

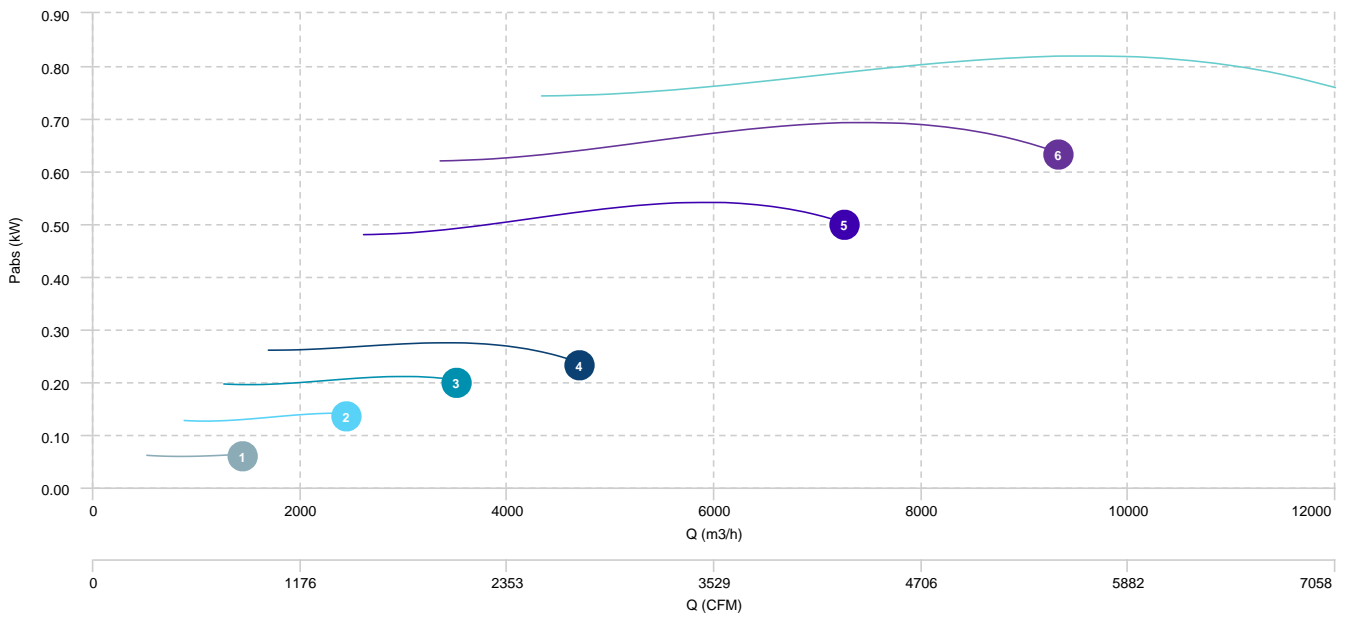


1	HJBMX 25 T4 0,12kW	2	HJBMX 30 T4 0,12kW	3	HJBMX 35 T4 0,25kW	4	HJBMX 40 T4 0,25kW
5	HJBMX 45 T4 0,37kW	6	HJBMX 50 T4 0,75kW	7	HJBMX 56 T4 0,75kW		

AIR FLOW - PRESSURE

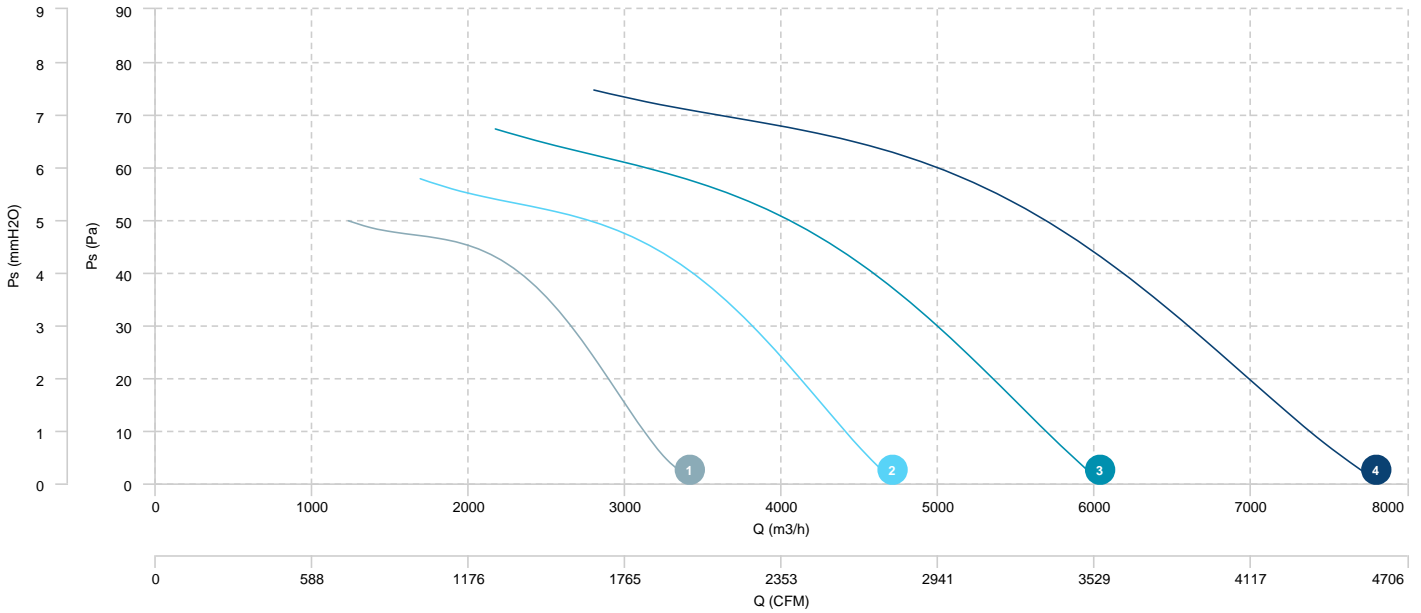


AIR FLOW - ABSORBED POWER

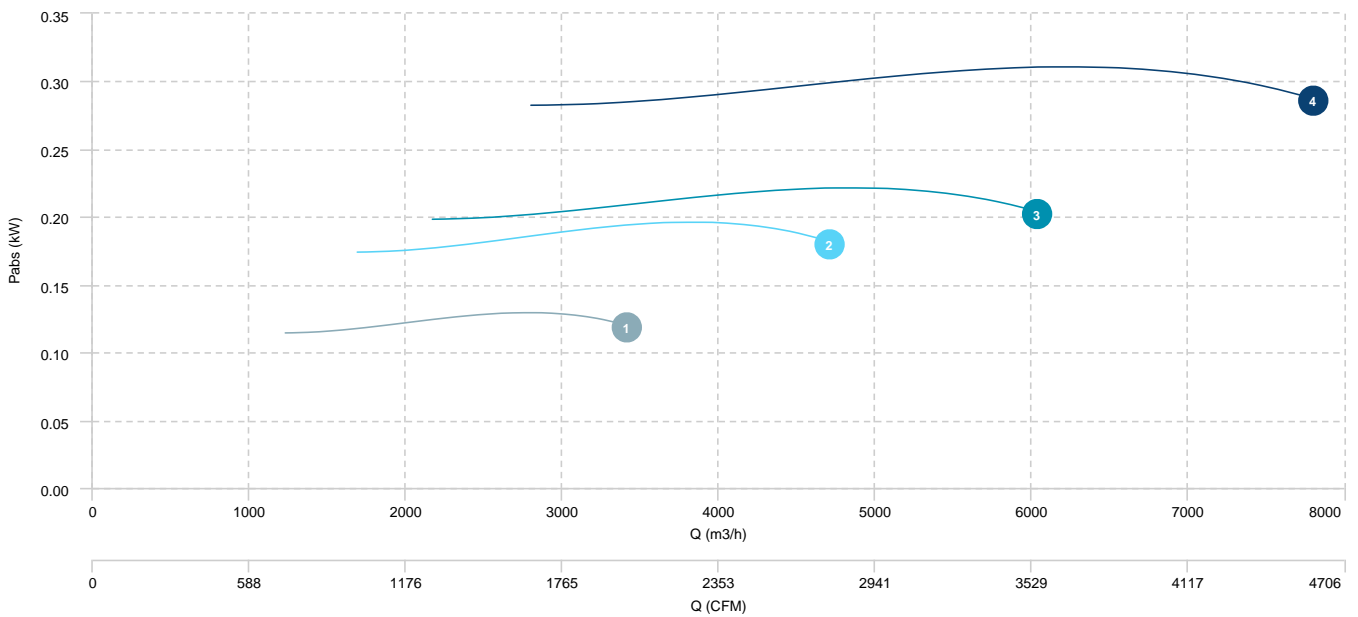


- 1 HJBMX 40 T6 0,18kW
- 2 HJBMX 45 T6 0,18kW
- 3 HJBMX 50 T6 0,18kW
- 4 HJBMX 56 T6 0,18kW

AIR FLOW - PRESSURE



AIR FLOW - ABSORBED POWER



Sound data

Sound / 4 poles

Sound power Lw dB (A)										
Model		63 Hz	125 Hz	250 Hz	500 Hz	1000 Hz	2000 Hz	4000 Hz	8000 Hz	Total
HJBMX 25 M4 0,09kW	Inlet	61	59	59	58	59	58	59	54	68
HJBMX 25 T4 0,12kW	Inlet	61	59	59	58	59	58	59	54	68
HJBMX 30 M4 0,09kW	Inlet	65	64	64	62	61	61	62	57	71
HJBMX 30 T4 0,12kW	Inlet	65	64	64	62	61	61	62	57	71
HJBMX 35 M4 0,18kW	Inlet	67	65	64	64	62	62	63	58	73
HJBMX 35 T4 0,25kW	Inlet	67	65	64	64	62	62	63	58	73
HJBMX 40 M4 0,18kW	Inlet	74	69	69	67	66	66	66	63	78
HJBMX 40 T4 0,25kW (40°)	Inlet	48	55	60	64	67	68	68	62	74
HJBMX 45 T4 0,37kW	Inlet	76	73	71	70	69	69	69	65	81
HJBMX 50 T4 0,75kW	Inlet	78	75	73	71	71	70	71	66	82
HJBMX 56 T4 0,75kW	Inlet	81	78	76	74	74	73	73	69	85

Sound / 6 poles

Sound power Lw dB (A)										
Model		63 Hz	125 Hz	250 Hz	500 Hz	1000 Hz	2000 Hz	4000 Hz	8000 Hz	Total
HJBMX 40 T6 0,18kW	Inlet	65	60	60	58	57	57	57	53	69
HJBMX 45 T6 0,18kW	Inlet	67	64	62	61	60	59	59	55	71
HJBMX 50 T6 0,18kW	Inlet	68	65	63	62	62	61	61	57	73
HJBMX 56 T6 0,18kW	Inlet	72	69	67	65	65	64	64	59	76