

IGNÉO



MEDIUM PRESSURE FAN WITH BACKWARD IMPELLER 400°C/2H CERTIFIED INSIDE THE HAZARDOUS AREA

MANUFACTURING FEATURES

- Medium pressure centrifugal fan with direct coupling.
- Reinforced housing made of carbon laminated steel, protected against corrosion by powder coating polyester resin RAL 5010. Finish C3.
- Casing fully latched and adjustable.
- Self-cleaning turbine and reinforced impeller with high-performance backward (reaction) blades made of carbon laminated steel dynamically balanced to minimize noise and vibrations. Graffiti black RAL 9005.
- Motor with S1 service class for continuous operation and approved 400°C / 2h for service class S2. IEC standardized asynchronous squirrel-cage motor with IP-55 protection and electrical insulation class H. Standard voltages 400V(Y) 50Hz in three phase motors up to 3kW and 400(D) 50Hz for higher powers.
- Motor with foot (B3) supported on motor support foot.
- Models of size 500 and above are supplied with a front support foot, for the other models the front support foot is optional.
- Inspection door to facilitate maintenance and cleaning.
- Available in the following orientations (to be indicated in case of order): LG0, LG45, LG90, LG135, LG180; LG225, LG270, LG315, RD0, RD45, RD90, RD135, RD180; RD225, RD270, RD315.
- Maximum working temperature in continuous: air transported: 130°C (service S1) and 400°C/2h (service S2), and maximum environment temperature: 60°C.

Accessories



APPLICATIONS

Installation in conduit for the impulsion or aspiration of clean and dusty air in:

- Big buildings
- Malls
- Factories / Industrial buildings
- Warehouses
- Parking lots
- Catering / Hospitality
- Extraction of smoke
- Boilers and ovens
- Manufacture and treatment of chemical products.
- Tunnels, underground stations.

UNDER REQUEST

- Fans to work at 60Hz and special voltages.
- 2 speed motor.
- C4-C5
- Hot dip galvanized
- Fully welded housing (watertight)
- Drain plug

Official homologation by the European laboratory APPLUS according to EN 12101-3:2015

Technical data

Three-phase motor / 4 poles

Code	Model	R.P.M.	Rated I. A 400V	Rated power kW	Max. Airflow m ³ /h	Sound db (A)**	Weight kg	Connect. diagram
IG311480	IGNÉO 311 T4 0,55kW	1398	1,42	0,55	2.490	43	43	1
IG351480	IGNÉO 351 T4 0,55kW	1398	1,42	0,55	3.560	47	65	1
IG401480	IGNÉO 401 T4 0,55kW	1398	1,42	0,55	5.080	51	75	1
IG451490	IGNÉO 451 T4 1,1kW	1392	2,7	1,10	7.240	54	94	1
IG501490	IGNÉO 501 T4 1,5kW	1410	3,6	1,50	9.930	57	130	1
IG5614100	IGNÉO 561 T4 3kW	1420	6,12	3,00	13.940	61	158	1
IG6314132	IGNÉO 631 T4 5,5kW	1450	10,58	5,50	19.850	65	214	1
IG7114132	IGNÉO 711 T4 7,5kW	1453	14,46	7,50	28.410	68	315	1

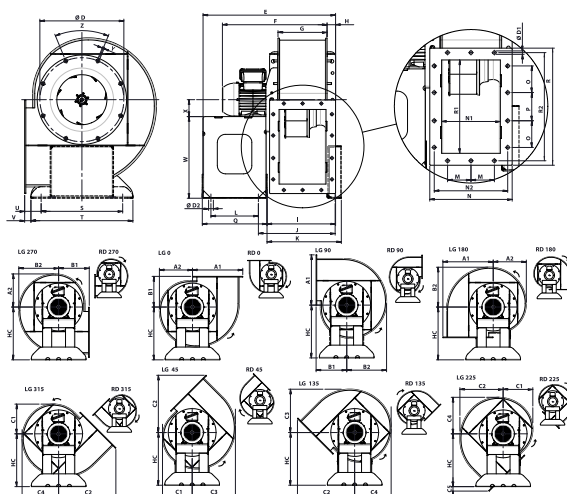
Three-phase motor / 6 poles

Code	Model	R.P.M.	Rated I. A 400V	Rated power kW	Max. Airflow m ³ /h	Sound db (A)**	Weight kg	Connect. diagram
IG501680	IGNÉO 501 T6 0,55kW	910	1,49	0,55	6.620	49	117	1
IG561690	IGNÉO 561 T6 0,75kW	925	1,95	0,75	9.300	52	145	1
IG6316100	IGNÉO 631 T6 1,5kW	940	3,71	1,50	13.240	56	180	1
IG7116132	IGNÉO 711 T6 3kW	960	7,3	3,00	18.940	59	276	1

Notes:

** Total sound pressure level at the point of maximum flow measured in dB(A) in the suction measured in free field at a distance of 6m from the source

Dimensions



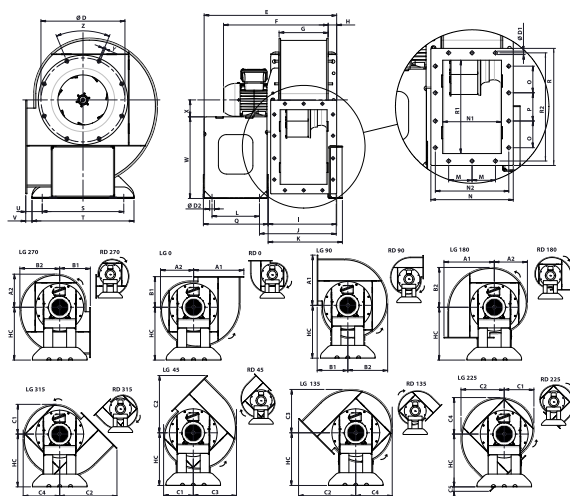
Model	A1	A2	B1	B2	C1	C2	C3	C4	C5
IGNÉO 311 T4 0,55kW	396	260.7	241.3	314.1	234	450.6	340.8	287.4	35
IGNÉO 351 T4 0,55kW	441.8	292.4	266.2	352.6	262.3	500.6	382.7	322.5	40
IGNÉO 401 T4 0,55kW	493	328.2	294.3	396.1	294.3	556.7	430.1	362.2	46.1
IGNÉO 451 T4 1,1kW	549.3	367.7	325.4	444	329.6	618.5	482.2	405.9	47.9

Model	D	D1	D2	E	F	G	H	HC	I
IGNÉO 311 T4 0,55kW	354.5	11.5	20	558.9	441.5	207	35.5	415.6	289
IGNÉO 351 T4 0,55kW	394.5	11.5	20	594.8	468	233	35.5	460.6	352.4
IGNÉO 401 T4 0,55kW	438	11.5	20	622.8	515	261	35.5	510.6	380.4
IGNÉO 451 T4 1,1kW	485	11.5	20	668	595.5	293	48.5	570.6	437.6

Model	J	K	L	M	N	N1	N2	O	P
IGNÉO 311 T4 0,55kW	324	313.5	200	79	278	198	248	90	95
IGNÉO 351 T4 0,55kW	314.9	339.4	205	92	304	224	274	105	105
IGNÉO 401 T4 0,55kW	342.9	367.4	205	106	332	252	302	120	120
IGNÉO 451 T4 1,1kW	394.4	428.9	185	112	364	284	334	130	130

Model	Q	R	R1	R2	S	T	U	V	W
IGNÉO 311 T4 0,55kW	272.9	395	315	365	344	430	69.3	26.3	344.6
IGNÉO 351 T4 0,55kW	282.9	435	355	405	397	473	67.7	29.7	389.6
IGNÉO 401 T4 0,55kW	282.9	480	400	450	397	473	95.8	57.8	430.6
IGNÉO 451 T4 1,1kW	264.6	530	450	500	487	563	126.9	43.9	480.6

Model	X	Y	Z
IGNÉO 311 T4 0,55kW	71	M8	8holes x45°
IGNÉO 351 T4 0,55kW	71	M8	8holes x45°
IGNÉO 401 T4 0,55kW	80	M8	8holes x45°
IGNÉO 451 T4 1,1kW	90	M8	8holes x45°



Model	A1	A2	B1	B2	C1	C2	C3	C4	C5
IGNÉO 501 T4 1,5kW	606	407.4	356.6	492.2	365	680.66	534.6	449.8	50.06
IGNÉO 501 T6 0,55kW	606	407.4	356.6	492.2	365	680.66	534.6	449.8	50.06
IGNÉO 561 T4 3kW	674	455	394	550	407.5	755.19	597.5	502.5	60.19
IGNÉO 561 T6 0,75kW	674	455	394	550	407.5	755.19	597.5	502.5	60.19
IGNÉO 631 T4 5,5kW	753.3	510.5	437.6	617.4	457.05	842.09	670.85	563.95	67.09
IGNÉO 631 T6 1,5kW	753.3	510.5	437.6	617.4	457.05	842.09	670.85	563.95	67.09
IGNÉO 711 T4 7,5kW	843.7	573.9	487.5	694.3	513.7	941.3	754.5	634.1	76.3
IGNÉO 711 T6 3kW	843.7	573.9	487.5	694.3	513.7	941.3	754.5	634.1	76.3

Model	D	D1	D2	E	F	G	H	HC	I
IGNÉO 501 T4 1,5kW	535	11.5	20	714.8	623.07	325	58.5	625.6	427.16
IGNÉO 501 T6 0,55kW	535	11.5	20	714.8	580.7	325	58.5	625.6	427.16
IGNÉO 561 T4 3kW	608	11.5	20	752.8	702	363	58.5	695	465.16
IGNÉO 561 T6 0,75kW	608	11.5	20	752.8	664.9	363	58.5	695	465.16
IGNÉO 631 T4 5,5kW	675	11.5	20	997.61	813	407	58.5	775	509.43
IGNÉO 631 T6 1,5kW	675	11.5	20	796.8	744.8	407	58.5	775	509.16
IGNÉO 711 T4 7,5kW	755	11.5	20	1048.61	890.3	458	58.5	865	560.43

Model	D	D1	D2	E	F	G	H	HC	I
IGNÉO 711 T6 3kW	755	11.5	20	1099.61	943.3	509	58.5	865	611.25

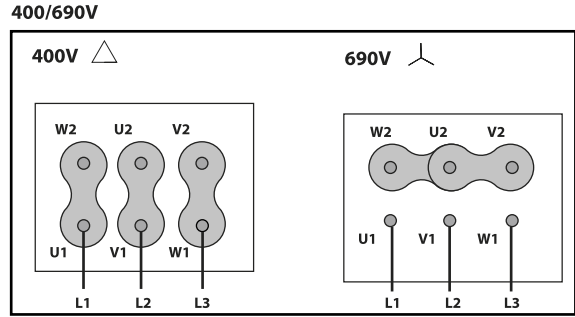
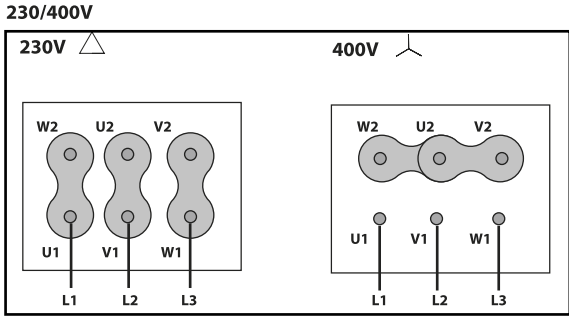
Model	J	K	L	M	N	N1	N2	O	P
IGNÉO 501 T4 1,5kW	470.16	460.26	185	128	396	316	366	147	146
IGNÉO 501 T6 0,55kW	470.55	460.26	185	128	396	316	366	147	146
IGNÉO 561 T4 3kW	508.55	498.26	185	147	434	354	404	165	170
IGNÉO 561 T6 0,75kW	508.55	498.26	185	147	434	354	404	165	170
IGNÉO 631 T4 5,5kW	553.1	542.53	385	169	478	398	448	190	190
IGNÉO 631 T6 1,5kW	552.55	542.26	185	169	478	398	448	190	190
IGNÉO 711 T4 7,5kW	604.1	593.53	385	184.5	529	449	499	210	210
IGNÉO 711 T6 3kW	655.1	644.53	385	209.84	579.68	500	549.68	210	210

Model	Q	R	R1	R2	S	T	U	V	W
IGNÉO 501 T4 1,5kW	264.64	580	500	550	397	563	158.1	75.1	535.6
IGNÉO 501 T6 0,55kW	264.64	580	500	550	397	563	158.1	75.1	545.6
IGNÉO 561 T4 3kW	264.64	640	560	610	397	593	195.5	112.5	595
IGNÉO 561 T6 0,75kW	264.64	640	560	610	397	593	195.5	112.5	605
IGNÉO 631 T4 5,5kW	465.19	710	630	680	487	563	194.1	156.1	643
IGNÉO 631 T6 1,5kW	264.64	710	630	680	397	563	239.1	156.1	675
IGNÉO 711 T4 7,5kW	465.19	790	710	760	487	563	244	206	733
IGNÉO 711 T6 3kW	465.19	790	710	760	487	563	244	206	733

Model	X	Y	Z
IGNÉO 501 T4 1,5kW	90	M8	8x45 ^º
IGNÉO 501 T6 0,55kW	80	M8	8x45 ^º
IGNÉO 561 T4 3kW	100	M8	16x22,5 ^º
IGNÉO 561 T6 0,75kW	90	M8	16x22,5 ^º
IGNÉO 631 T4 5,5kW	132	M8	16x22,5 ^º
IGNÉO 631 T6 1,5kW	100	M8	16x22,5 ^º
IGNÉO 711 T4 7,5kW	132	M8	16x22,5 ^º
IGNÉO 711 T6 3kW	132	M8	16x22,5 ^º

Wiring diagram

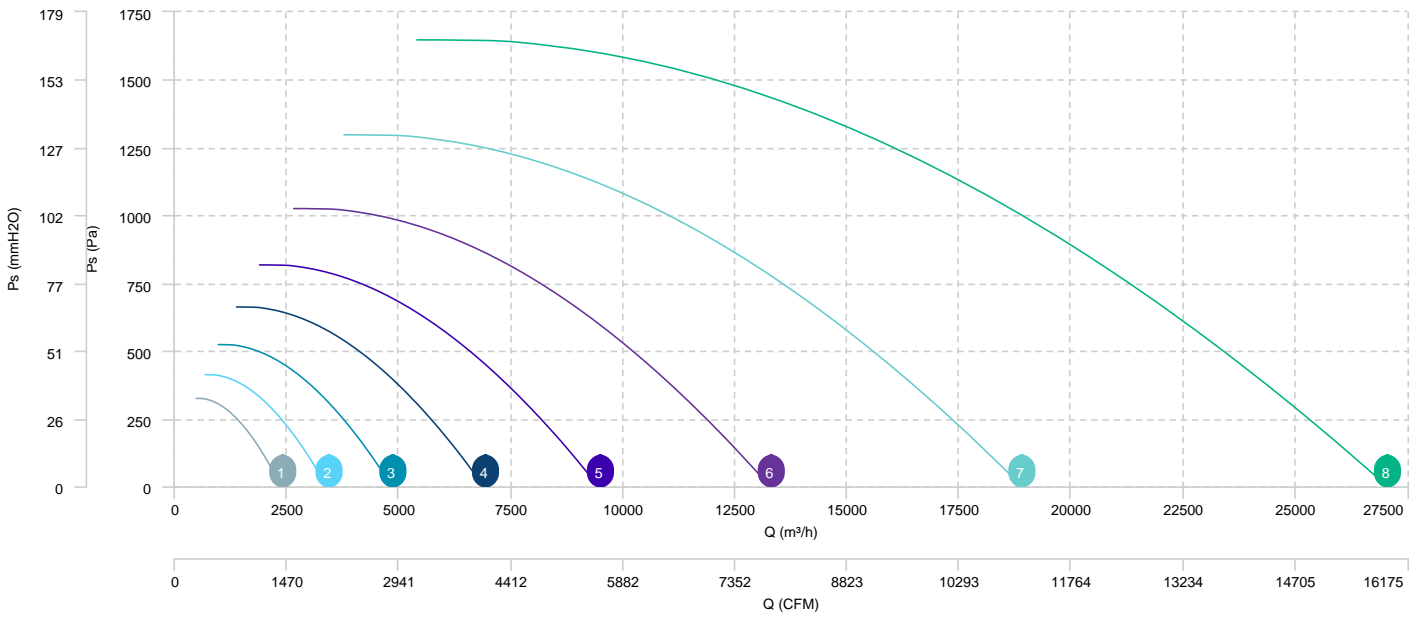
Wiring diagram N° 1



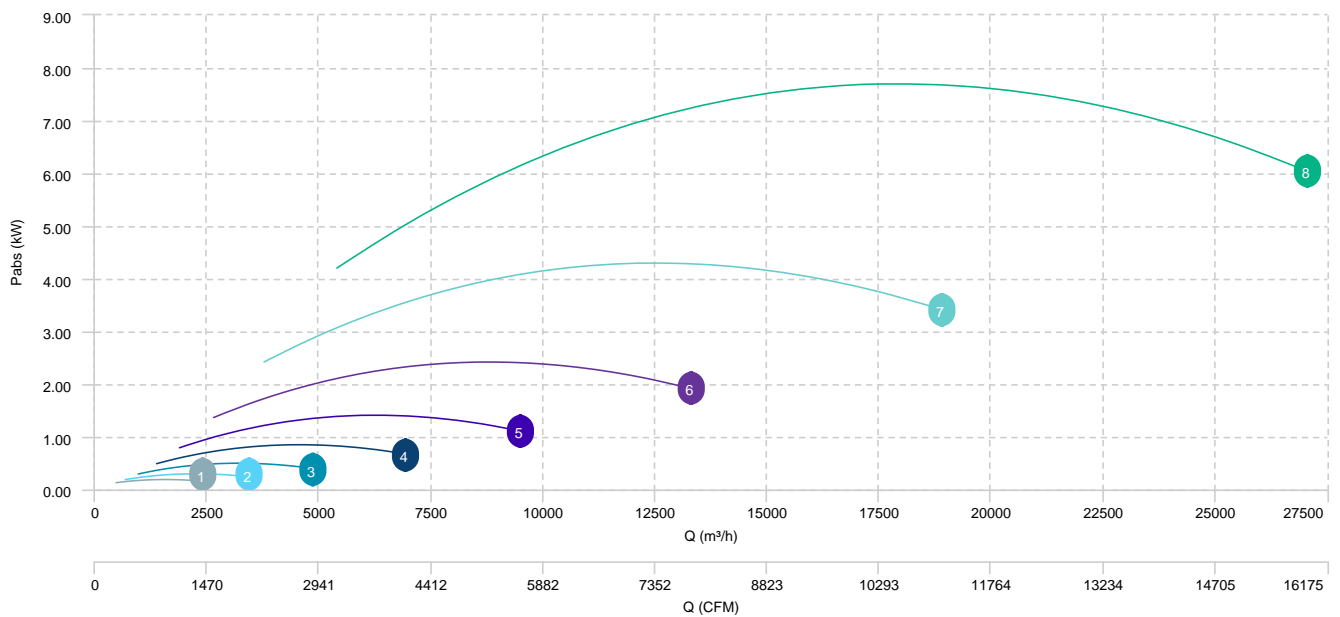
CHARACTERISTIC CURVE

1	IGNÉO 311 T4 0,55kW	2	IGNÉO 351 T4 0,55kW	3	IGNÉO 401 T4 0,55kW	4	IGNÉO 451 T4 1,1kW
5	IGNÉO 501 T4 1,5kW	6	IGNÉO 561 T4 3kW	7	IGNÉO 631 T4 5,5kW	8	IGNÉO 711 T4 7,5kW

AIR FLOW - PRESSURE

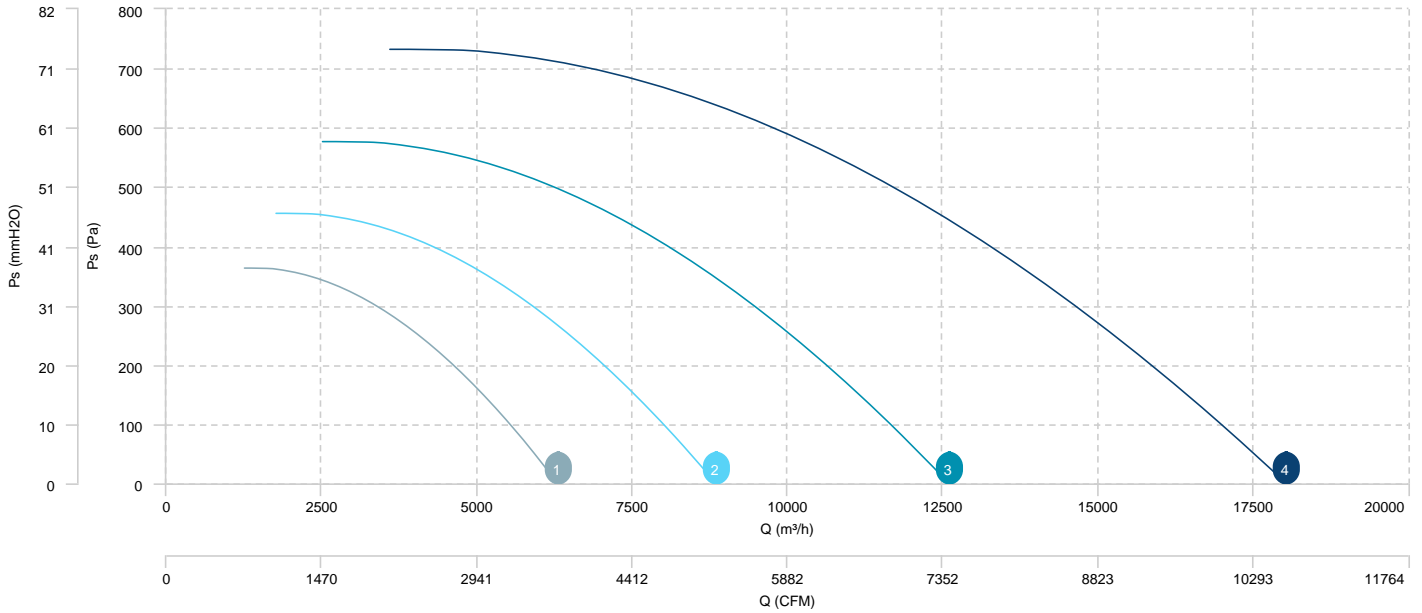


AIR FLOW - ABSORBED POWER

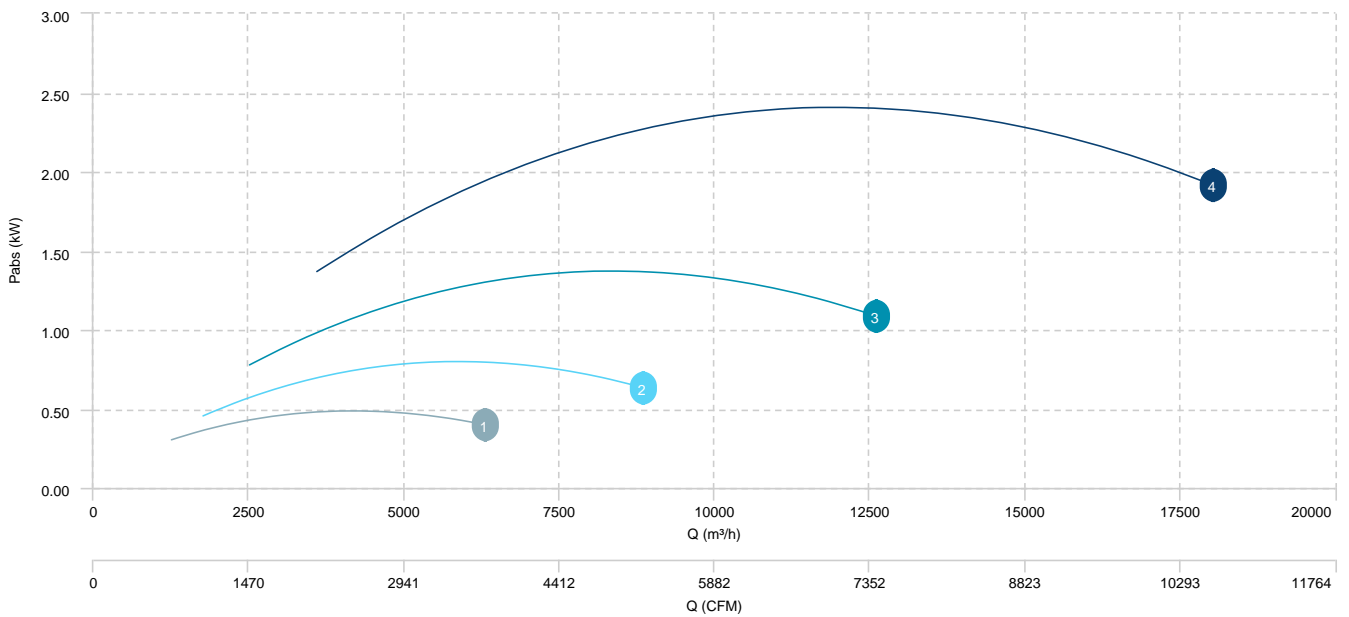


- 1 IGNÉO 501 T6 0,55kW
- 2 IGNÉO 561 T6 0,75kW
- 3 IGNÉO 631 T6 1,5kW
- 4 IGNÉO 711 T6 3kW

AIR FLOW - PRESSURE



AIR FLOW - ABSORBED POWER



Sound data

Sound / 4 poles

Sound power Lw dB (A)										
Model		63 Hz	125 Hz	250 Hz	500 Hz	1000 Hz	2000 Hz	4000 Hz	8000 Hz	Total
IGNÉO 311 T4 0,55kW	Inlet	65	63	60	58	56	53	50	47	69
IGNÉO 351 T4 0,55kW	Inlet	69	67	64	62	60	57	54	51	73
IGNÉO 401 T4 0,55kW	Inlet	73	71	68	66	64	61	58	55	77
IGNÉO 451 T4 1,1kW	Inlet	76	74	71	69	67	64	61	58	80
IGNÉO 501 T4 1,5kW	Inlet	79	77	74	72	70	67	64	61	83
IGNÉO 561 T4 3kW	Inlet	83	81	78	76	74	71	68	65	87
IGNÉO 631 T4 5,5kW	Inlet	87	85	82	80	78	75	72	69	91
IGNÉO 711 T4 7,5kW	Inlet	90	88	85	83	81	78	75	72	94

Sound / 6 poles

Sound power Lw dB (A)										
Model		63 Hz	125 Hz	250 Hz	500 Hz	1000 Hz	2000 Hz	4000 Hz	8000 Hz	Total
IGNÉO 501 T6 0,55kW	Inlet	71	69	66	64	62	59	56	53	75
IGNÉO 561 T6 0,75kW	Inlet	74	72	69	67	65	62	59	56	78
IGNÉO 631 T6 1,5kW	Inlet	78	76	73	71	69	66	63	60	82
IGNÉO 711 T6 3kW	Inlet	81	79	76	74	72	69	66	63	85

erp data

ERP	
Fan type	Centrifugal fan backward blades with casing
Installation category	A
Efficiency category	Static
The fan has to be installed with FSC	No

ERP / 4 poles

Model	Motor power (kW)	Maximum efficiency point data						
		Max. efficiency (%)	Efficiency grade (N) (N)	Air Flow (m³/h)	Ps (Pa)	Pabs (kW)	speed (rpm)	Specific ratio
IGNÉO 311 T4 0,55kW	0,55	51,84	69,99	1.358,01	253,31	0,19	1398	1,00
IGNÉO 351 T4 0,55kW	0,55	60,10	76,19	1.930,56	323,68	0,29	1398	1,00
IGNÉO 401 T4 0,55kW	0,55	65,22	78,97	2.741,55	413,55	0,49	1398	1,00
IGNÉO 451 T4 1,1kW	1,10	69,01	80,34	3.894,70	524,40	0,83	1392	1,01
IGNÉO 501 T4 1,5kW	1,50	70,53	79,55	5.325,57	649,13	1,38	1410	1,01
IGNÉO 561 T4 3kW	3	72,38	78,93	7.490,42	813,51	2,37	1420	1,01
IGNÉO 631 T4 5,5kW	5,50	73,40	77,33	10.668,60	1.029,32	4,22	1450	1,01
IGNÉO 711 T4 7,5kW	7,50	74,57	75,86	15.211,03	1.311,61	7,54	1453	1,01

ERP / 6 poles

Model	Motor power (kW)	Maximum efficiency point data						
		Max. efficiency (%)	Efficiency grade (N) (N)	Air Flow (m³/h)	Ps (Pa)	Pabs (kW)	speed (rpm)	Specific ratio
IGNÉO 501 T6 0,55kW	0,55	60,29	74,14	3.589,08	285,85	0,48	910	1,00
IGNÉO 561 T6 0,75kW	0,75	64,96	76,57	4.990,44	361,75	0,78	925	1,00
IGNÉO 631 T6 1,5kW	1,50	68,18	77,33	7.106,14	457,81	1,35	940	1,00
IGNÉO 711 T6 3kW	3	70,59	77,17	10.180,78	581,02	2,36	960	1,01